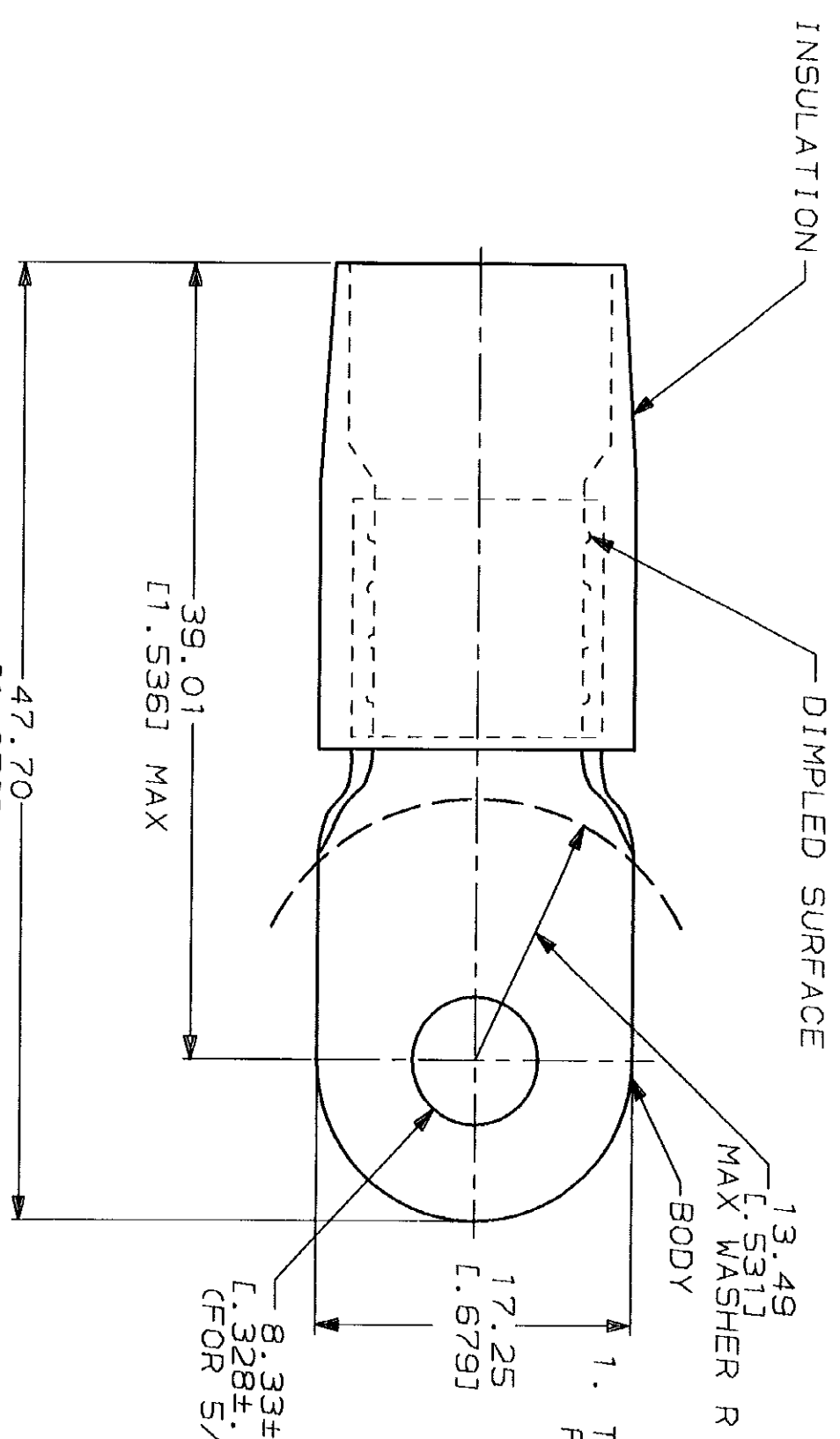


THIS DRAWING IS UNPUBLISHED. RELEASED FOR PUBLICATION BY AMP INCORPORATED. ALL INTERNATIONAL RIGHTS RESERVED. © COPYRIGHT 19 19

LOC	DIST	P	ZONE	LTR	DESCRIPTION	DATE	APPD
G	14	F		F	EC 0720-0279-93	6-18-93	SSS BB

**AMP**  
WIRE RANGE  
4 AWG  
STRANDED

**METRIOR**  
DIMENSIONS LISTED IN mm [ INCHES ]



1. TONGUE MATERIAL THK 1.22±0.08 [0.048±.003] FOR 9.70 [0.382] MAX WIRE INS DIA

**AMP INCORPORATED  
CUSTOMER SERVICE SYSTEMS**

FOR ADDITIONAL PRODUCT INFORMATION OR COPIES OF DRAWINGS AND TECHNICAL DOCUMENTS	PRODUCT INFORMATION CENTER 1-800-522-6752
FOR APPLICATION TOOLING INFORMATION	TOOLING ASSISTANCE CENTER 1-800-722-1111
FOR ORDER ENTRY	1-800-526-5142

MILITARY P/N AND CLASS	MS25036-124 CLASS 2
DO NOT SCALE PRINT. UNLESS SPECIFIED	
TOLERANCES UNLESS SPECIFIED	
1 PLG DEC ± 0.20 (0.008)	
2 PLG DEC ± 0.20 (0.008)	
3 PLG DEC ± 0.20 (0.008)	
ANGLES	
MATERIAL	COPPER PER ASTM B-152 NYLON (MIL-M-20693) TYPE 1 COLOR: YELLOW
FINISH	TIN PLATE PER MIL-T-10727

LOOSE PC	324051
PACKAGE TYPE	PART NO
<b>AMP</b>	AMP Incorporated Harrisburg, PA 17105-3608
NAME	
TERMINAL, RING TONGUE, TERMINYL	
WIRE SIZE: 4 AWG	
SIZE	CAGE CODE
B	00779
SCALE	DRAWING NO
NTS	G=324051
	SHEET
	1 OF 1